



Main Features:-

- ◆ Gate Valve PN10/16
- ◆ NPT F-F Ends
- ◆ Brass construction
- ◆ Max. Working pressure 10/16 Bar
- ◆ Max. Working temperature 110°C

*Temperature and pressure determined by valve body, seat etc.

Suitable Applications & Approvals:



HVAC



OIL



GAS



INDUSTRY

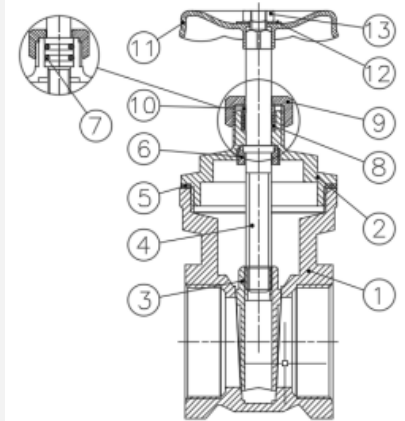


SERIES: 80602

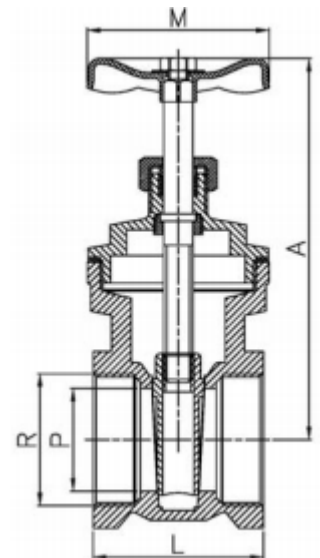
MANUFACTURER: **GENEBRE**

VALVE MATERIALS

ITEM	SECTION	MATERIAL	ADDITIONAL INFO / OPTIONS
1	Body	Brass	Peened + Pickling
2	Bonnet	Brass	Peened + Pickling
3	Gate	Brass	n/a
4	Stem	Brass	n/a
5	Bonnet Joint	PTFE	n/a
6	Lock Nut	Brass	n/a
7	Stem Sealing	NBR	n/a
8	Stam Packing	PTFE	n/a
9	Packing Nut	Brass	n/a
10	Packing Ring	Brass	n/a
11	Wheel	Steel	Red Painted
12	Washer	Aluminium	n/a



REF	SIZE	P	A	L	M	Kg
80602-04	1/2"	13	65.5	37.5	45	0.170
80602-05	3/4"	15	67	41	45	0.200
80602-06	1"	19	77.5	44.5	50	0.280
80602-07	1 1/4"	26	92	50.5	54	0.430
80602-08	1 1/2"	33	97	51	59	0.565
80602-09	2"	42	120	61	69	1.000
80602-10	2 1/2"	60	156	66	99	1.750
80602-11	3"	68	184	84	99	2.450
80602-12	4"	93	227	91	119	4.680



T +44 (0)1386 552369

E sales@allvalves.co.uk

W www.allvalves.co.uk

F +44 (0)1386 554227



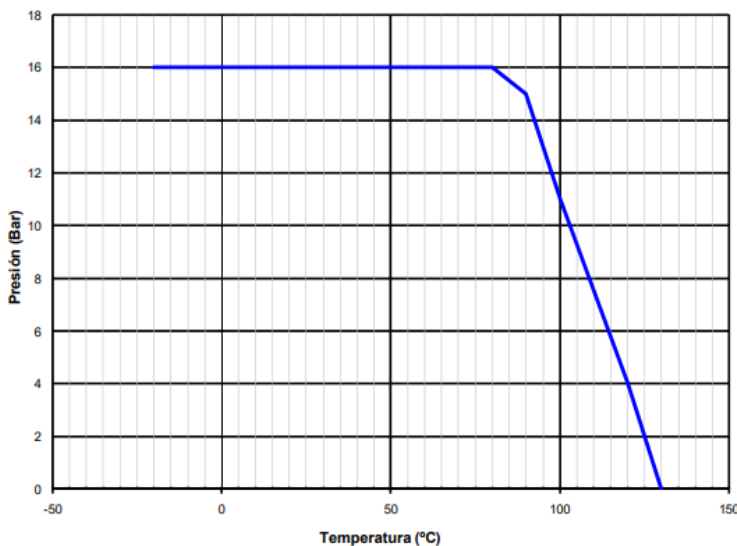
Genebre are a global brand of industrial valves with large stocks held for fast delivery on various type of valves, sizes, end connections and materials.

SERIES: 80602

TORQUE / Kv VALUES / DIMENSIONS

REF	SIZE	Kv	KV VALUES:
80602-04	1/2"	6	- The Kv values (M3 per hour) is the flow of water at a temperature of 5C to 30C (41F to 86F) at p of 1 bar - For further information, please email sales@allvalves.co.uk
80602-05	3/4"	17	
80602-06	1"	28	
80602-07	1 1/4"	42	
80602-08	1 1/2"	78	
80602-09	2"	110	
80602-10	2 1/2"	400	
80602-11	3"	520	
80602-12	4"	750	

PRESSURE TEMPERATURE RATING



ALL VALVES

Offering a full range of actuated valve packages, manual valve range, pipe fittings and pumps, we have a product for all your requirements. As an ISO 9001-2015 Quality Approved and certified company, All Valves offer a quality service from pre-sale to post sale. Shipping millions of pounds in value of manual valve and actuated valve packages all over the world since its formation, All Valves are a trusted valve and actuator supplier to many companies all over the world. Working with the leading brands in most industries.



T +44 (0)1386 552369

E sales@allvalves.co.uk

W www.allvalves.co.uk

F +44 (0)1386 554227